

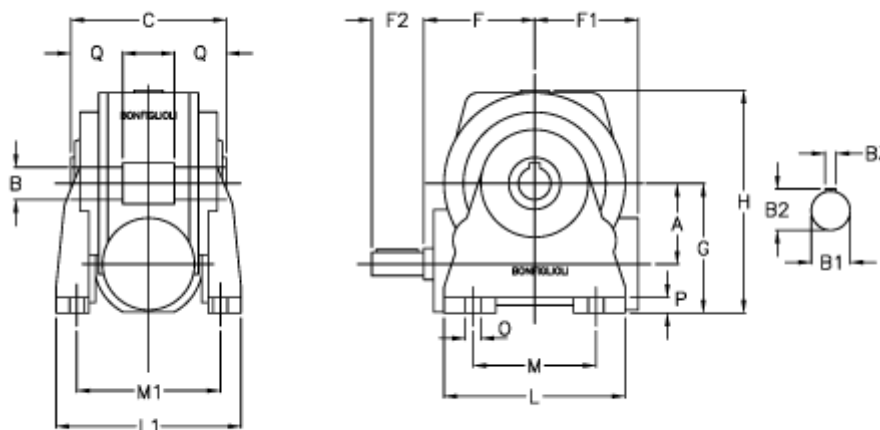
Data Sheet



Article number: 3901044007100

Description: Worm gear with solid input shaft
VF 44N-7-HS

Measures



| | | | |
|----------------------------|--------|-----------|----------|
| a | = 44.6 | F1 = 54 | O = 8.5 |
| B | = 18 | F2 = 30 | P = 10 |
| B1 | = 11 | g = 72 | Q = 24.5 |
| B2 | = 12.5 | H = 124.5 | |
| B3 | = 4 | L = 90 | |
| C | = 64 | L1 = 98 | |
| Description = VF 44N-xx-HS | | m = 52 | |
| F | = 54.0 | M1 = 81.0 | |